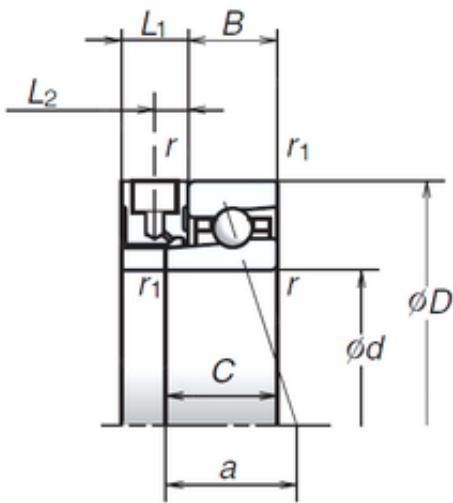




DPA Bearing Sales Corp.



100 mm x 140 mm x 20 mm NSK 100BNR19XE
ISO class 2 ABMA ABEC9 Precision Bearings

Bearing No. 100BNR19XE

Size	100x140x20 mm
Bore Diameter	100 mm
Outer Diameter	140 mm
Width	20 mm
d	100 mm
D	140 mm
B	20 mm
C	25 mm
L2	7,5 mm
Angle ()	18 °
a	34,5 mm
r min.	1,1 mm
r1 min.	0,6 mm
L1	15 mm
Weight	0,739 Kg
Basic dynamic load rating (C)	38 kN
Basic static load rating (C0)	35 kN
(Grease) Lubrication Speed	27 500 r/min

100BNR19XE Bearing 2D drawings and 3D CAD models