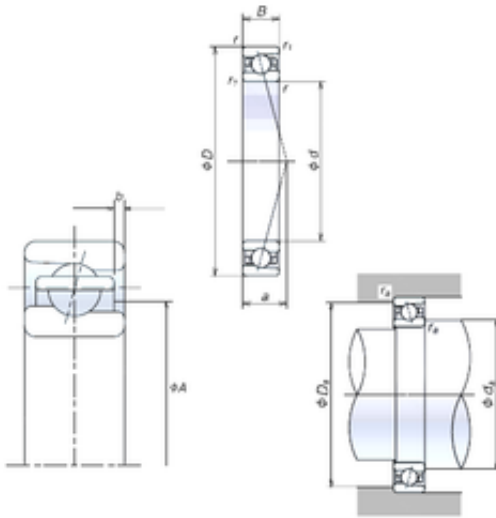




DPA Bearing Sales Corp.

95 mm x 145 mm x 24 mm NSK 95BNR10X
Interchangeable with open TAC serie Precision
Bearings



95BNR10X Bearing 2D drawings and 3D CAD models

Bearing No. 95BNR10X

Size	95x145x24 mm
Bore Diameter	95 mm
Outer Diameter	145 mm
Width	24 mm
d	95 mm
D	145 mm
B	24 mm
C	24 mm
Angle (°)	18 °
a	31,3 mm
b	2,5 mm
r min.	1,5 mm
r1 min.	1 mm
A	112 mm
da min.	104 mm
Da max.	136 mm
ra max.	1,5 mm
Weight	1,209 Kg
Basic dynamic load rating (C)	35,5 kN
Basic static load rating (C0)	34,5 kN
(Grease) Lubrication Speed	17500 r/min